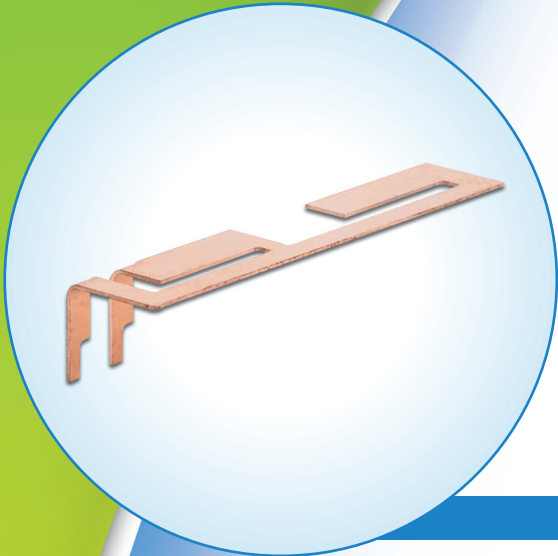


Airgain

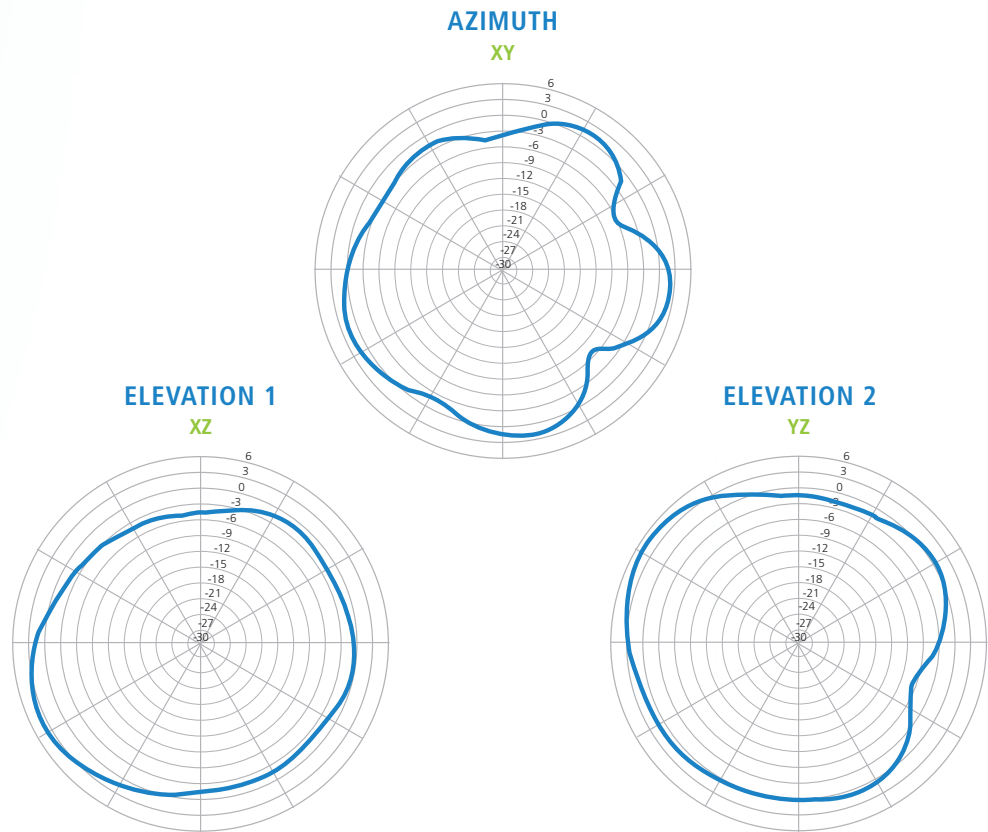


Ultra 40 DECT

High-Performance Embedded Antenna Solution for DECT applications

The Ultra 40 DECT Embedded Antenna provides a high efficiency, embedded antenna solution for Digital Enhanced Cordless Telecommunications (DECT) applications in the 1.9GHz, Unlicensed Personal Communications Service (UPCS) band. As the need for embedded antenna solutions serving multiple communication channels grows in next generation wireless product design, the Ultra 40 DECT provides a top performance embedded antenna for local voice communication requirements. This antenna is designed to accommodate most DECT applications which may be incorporated into home network routers, gateways, or stand alone devices. The Ultra 40 DECT can be easily integrated onto a PCB design.

ANTENNA RADIATION PATTERNS



Airgain USA
 sales@airgain.com
 1930 Palomar Point Way, Suite 107
 Carlsbad, CA 92008
 +1 760 579 0200

Airgain Taiwan
 asiasales@airgain.com
 7F, No. 506, Syecian Road
 Shulin City, Taipei County 23853
 Taiwan, R.O.C.
 +2 2929 4460

FEATURES

- ▶ 1.92 to 1.93 GHz "UPCS" band (DECT band in U.S.)
- ▶ On-board mounting
- ▶ Designed for mounting locations along any board edge
- ▶ 4.8 dBi @ 1.925 GHz peak gain

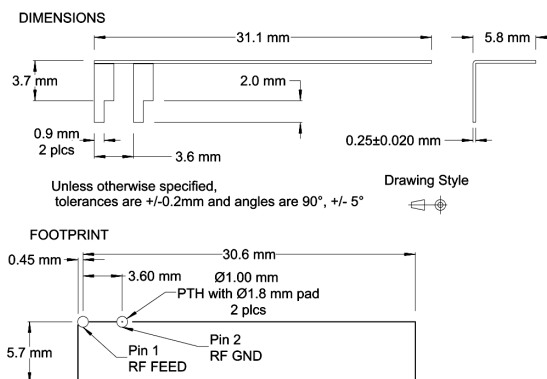
BENEFITS

- ▶ High efficiency
- ▶ Enables quick integration
- ▶ Achieves high performance

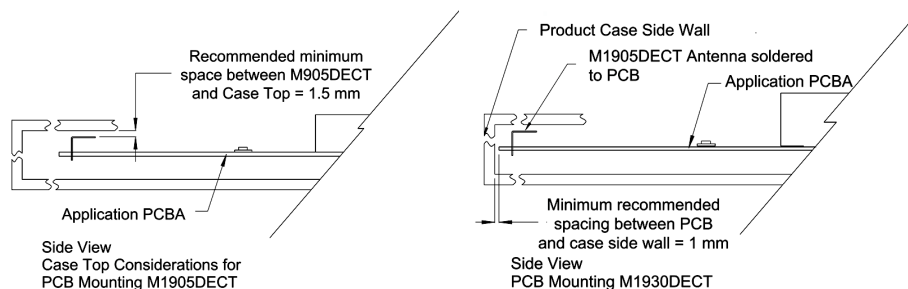
Expanding the Range of Wireless Possibilities

PRODUCT SPECIFICATIONS	
Standard	DECT (U.S.)
Frequency Range	1.92 to 1.93 GHz
Peak Gain	4.8 dBi @ 1.925 GHz
VSWR	2:1
Feed Impedance	50 Ohms
Power Handling	30 dBm
Interface	2 through-hole pins, RF Feed and RF GND for 50 ohm transmission line connections on pcb
Dimensions	31.6 x 5.8 x 3.7 (mm)
Weight	1g (0.04 oz)

MECHANICAL DIMENSIONS



MOUNTING



Information in this document is provided in connection with Airgain™ products. No license, express or implied, to any intellectual property rights is granted by this document. Except as provided in Airgain's Terms and Conditions of Sale for such products, Airgain assumes no liability whatsoever, and Airgain disclaims any express or implied warranty, relating to sale and/or use of Airgain products including liability or warranties relating to fitness for a particular purpose, merchantability, or infringement of any patent, copyright or other intellectual property right. Airgain may make changes to specifications and product descriptions at any time, without notice. for the most current product information, please visit: www.airgain.com

Copyright ©2009. Airgain, Inc. All rights reserved. Airgain and the Airgain logo are trademarks of Airgain, Inc. DS/Ult30/0609