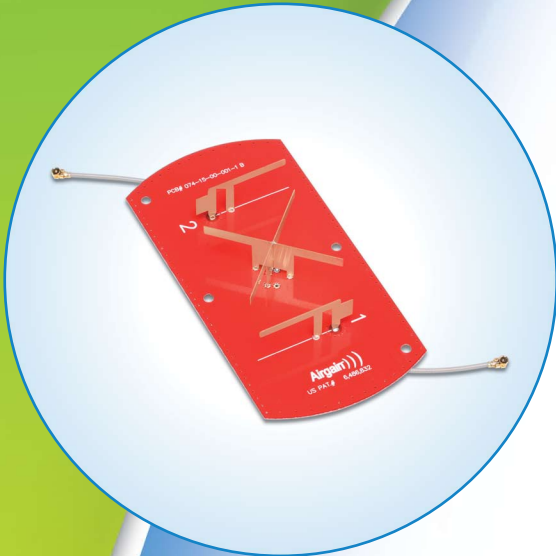




Available Part Numbers*
 N2465TE
 N2465TE-100
 N2465TE-100U
 N2465TE-100C



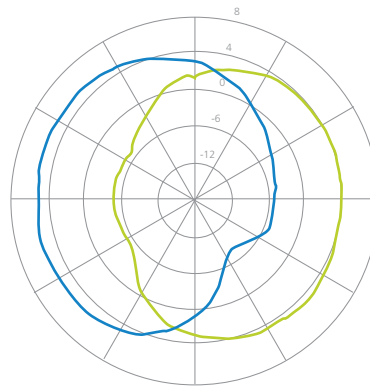
MaxBeam 40N Antenna

Smart directional antenna for 802.11b/g and 802.11n systems

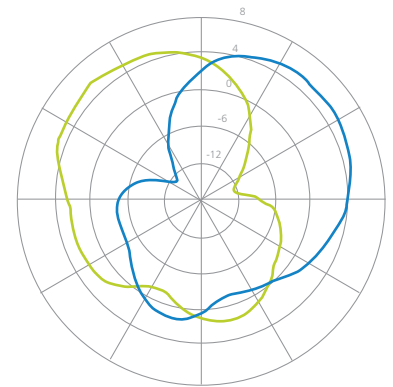
The MaxBeam40N MIMO smart antenna utilizes patented beam forming technology to deliver greater signal strength and receive sensitivity than conventional dipole solutions. The unprecedented performance of MaxBeam40N is derived by combining the benefits of two high gain directional antenna elements with high isolation between each element. This directionality and high isolation improves the SNR while enhancing channel modes, thereby increasing the range and throughput of 802.11n devices. Its unique design also allows for integration inside routers, gateways and bridge devices, eliminating the need for external antennas. The MaxBeam40N operates in the 2.4GHz frequency and is compatible with existing 802.11 b/g and draft-N systems in a 2x2 configurations.

ANTENNA RADIATION PATTERNS

AZIMUTH



ELEVATION



FEATURES

- Two element/two cable directional MIMO antenna provides peak gain of 4.0dBi
- Fully compatible with 802.11b/g and 802.11n systems
- Independent, pre-tuned, antenna can be easily integrated into products

BENEFITS

- Eliminates external dipole antennas without sacrificing performance
- Provides superior horizontal and vertical coverage optimized for indoor performance
- Provides extended range without increasing radiated power

Airgain USA
 sales@airgain.com
 1930 Palomar Point Way, Suite 107
 Carlsbad, CA 92008
 +1 760 579 0200

Airgain Taiwan
 asiasales@airgain.com
 7F, No. 506, Syecian Road
 Shulin City, Taipei County 23853
 Taiwan, R.O.C.
 +2 2929 4460

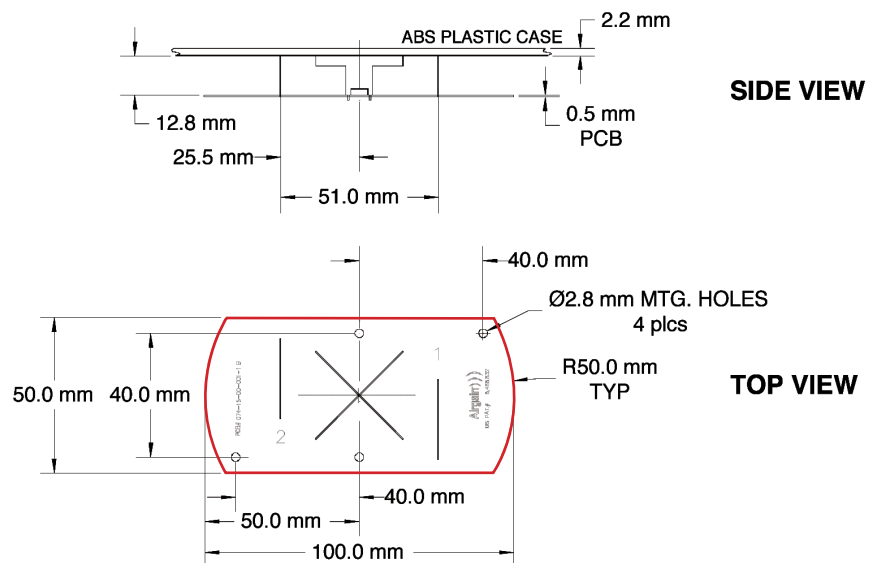
***Part # Extensions:**

###: cable length in mm (custom lengths avail.) U: includes U.FL connector(s) C: Ferrite Core with U.FL connector(s)

Expanding the Range of Wireless Possibilities

PRODUCT SPECIFICATIONS	
Standard	IEEE 802.11b/g and 802.11n
Frequency Band	2.4 to 2.49 GHz
Peak Gain	4.0 dBi @2.44GHz (pre-cable loss)
VSWR	2:1 Max
Polarization	Linear, vertical
Dimensions	100L x 50W x 15H mm
Feed Impedance	50 Ohms
Power Handling	30 dBm
Interface	Two sets of soldering pads for 50 ohm, 1.13mm diameter, micro coax cable
Temperature	Operating: 0 to 60°C; Storage -20 to 70°C
Humidity	Operating: 0 to 70%; Storage 0 to 95% non-condensing
Compliance	FCC Part 15 Class B; RoHS compliant

MECHANICAL DIMENSIONS



Information in this document is provided in connection with Airgain™ products. No license, express or implied, to any intellectual property rights is granted by this document. Except as provided in Airgain's Terms and Conditions of Sale for such products, Airgain assumes no liability whatsoever, and Airgain disclaims any express or implied warranty, relating to sale and/or use of Airgain products including liability or warranties relating to fitness for a particular purpose, merchantability, or infringement of any patent, copyright or other intellectual property right. Airgain may make changes to specifications and product descriptions at any time, without notice. for the most current product information, please visit: www.airgain.com

Copyright ©2009. Airgain, Inc. All rights reserved. Airgain and the Airgain logo are trademarks of Airgain, Inc. DS/Max40N/0209